



**WORLD'S BEST
ALLOY BULLBARS**

East Coast Bullbars (ECB Pty Ltd)

Tel: 07 3897 5700

Fax: 07 3283 1168

ecb@ecb.com.au www.ecb.com.au

29 Snook St
Clontarf QLD 4019
Australia

Po Box 122
Margate QLD 4019
Australia

NB6N180SY, NBN180SY

REPLACES: 24.02.17

REVISED: 01.11.17

FITTING INSTRUCTIONS

NISSAN PATHFINDER 3/2017 ON 63MM SERIES 2 NUDGE BAR AND 76MM NUDGE BAR VEHICLE FRONTAL PROTECTION SYSTEM (VFPS) FOR AIR BAG & ADR COMPLIANT VEHICLES

Check installation hardware before commencing.

1. Test drive vehicle to ensure sonar is in working condition. Lift bonnet.
2. Remove radiator cover, 13 push pull plastic clips.
3. Gently pull grille forward at top corners to release clips on sides of headlights. **See figure 1.** Disconnect camera in bottom of badge (if fitted). Starting on outer corners, press up on centre of lower clips whilst gently pulling grille forward to remove. **See figure 2.**
4. Under front of vehicle, remove four push pull plastic clips from front of under body guard, one push pull plastic clips (per side) from underbelly guard to inner guard and three Pk screws (per side) from front of inner guard to bumper.
5. Under wheel arch, remove three Pk screws (per side) from inner guard to bumper cover. Pull inner guards rearward away from bumper.
6. Disconnect fog lights from connector on radiator support. Caution: If disconnecting wiring from lights, wiring remains connected to rear of light housing. **See figures 3 and 4.**
7. Where the rear of the guard and bumper cover meet, remove one 10mm head bolt (per side). Gently pull bumper cover sideways to release plastic holding clips and forward to release clips from under headlights. Once both sides are released, remove four push pull plastic clips from centre of bumper cover. Remove bumper cover.
8. Remove polypropylene infill from front of alloy bumper support.
9. Remove four 13mm head nuts (per side) from front of bumper support to chassis rails. Remove support.
10. Remove the Sonar from the alloy bumper support. Retain for re-fitting.
11. Clamp ECB steel mounts (supplied) to rear of bumper support. Align holes in ECB mount centrally to holes in alloy bumper support. **See figure 5.** Check measure out to out on mounts of alloy protection bar to in to in measurement on ECB steel mounts. Using ECB steel mounts as a guide, drill inner holes in bumper support to 11mm. **See figure 6. Blow filings clear and treat all exposed metal with a rust inhibitor.** Install M10 x 40 x 1.5 bolts and washer on wire, flat washers, spring washers and nuts (supplied) into drilled holes on bumper support. Do not tighten bolts in bottom at this stage.
12. Using Drivers side ECB steel mount as a guide, drill hole into bumper support to 6mm. **Blow filings clear and treat all exposed metal with a rust inhibitor.** Install one M6 x 20 bolt and washer on wire, flat washer and nyloc nut (supplied).
13. Refit the Sonar to the mount using M6 x 25 bolts, flat washers and nyloc nuts (supplied).



**WORLD'S BEST
ALLOY BULLBARS**

East Coast Bullbars (ECB Pty Ltd)

Tel: 07 3897 5700

Fax: 07 3283 1168

ecb@ecb.com.au www.ecb.com.au

29 Snook St
Clontarf QLD 4019
Australia

Po Box 122
Margate QLD 4019
Australia

14. Place the Perspex protection cover (supplied) on mount using three M6 x 25 bolts, flat washers and nyloc nuts (supplied). **See figure 7.**
15. Carefully cut the sonar wiring above the plug and extend the wires using the wire and joiners supplied.
16. Refit bumper support back to vehicle using original equipment nuts. **See figure 8. Tighten all bolts.**
17. Using ECB steel mount measurements, measure and mark rear of lower grille. Note: Drivers side needs to be cut (**see figure 9**), passengers side comes through grille opening. Check cut line to ECB steel mounts by placing bumper up to vehicle. Cut bumper to allow mounts to protrude. Trim area from side of opening level with plastic fascia.
18. Refit bumper as per reverse of steps 2 to 8.
19. Fit ECB protection bar to ECB steel mounts using four M10 x 40 bolts, flat washers, spring washers and nuts. **Finger tighten only.**
20. Align ECB protection bar with vehicle, **See figures 10 and 11 for nudge bar and 12 and 13 for Series 2 Nudge Bar.**
21. Test drive vehicle to ensure sonar unit is working to pre-fit specifications.

ENSURE NUMBER PLATE IS CLEARLY VISABLE

Note: When fitting/refitting the licence plate to the vehicle, ensure there is no obstruction to licence plate vision in accordance with local authorities. If required relocate licence plate to an alternate location.

Further VFPS Notes:

- a) Do not attach VFPS to the vehicle using anchorages not intended for this purpose (e.g. engine mounting bolts).
- b) Do not use this product for any vehicle make or model, other than those specified by the VFPS manufacturer.
- c) Do not remove the plaque or label from the VFPS.
- d) Do not modify the structure of the VFPS in any way.
- e) No accessory or fitment should project forward of the VFPS forward profile.
- f) **ENSURE THESE INSTRUCTIONS ARE LEFT WITH VEHICLE OWNER AND/OR OPERATOR.**

IMPORTANT INFORMATION

Periodically check bolts and nuts for correct tightness, especially if travelling on rough roads

FITTING KIT

1 – ECB drivers side steel mount includes sonar mount	1 – M6 x 25 bolt and washer on 300mm wire.
1 – ECB passengers side steel mount	5 – M6 x 25 x 1.0 bolts
1 – Perspex protection cover (NBF160SY_A2PL)	11 – M6 flat washers
4 – M10 x 40 x 1.5 bolts and washers on 300mm wire	6 – M6 x 1.0 nyloc nuts
4 – M10 x 40 x 1.5 bolts	5 – Single core wire – 400mm long
12 – M10 flat washers	10 – Solder joiners
8 – M10 spring washers	4 – 150mm Zip ties
8 – M10 x 1.5 nuts	



East Coast Bullbars (ECB Pty Ltd)

Tel: 07 3897 5700

Fax: 07 3283 1168

ecb@ecb.com.au www.ecb.com.au

WORLD'S BEST
ALLOY BULLBARS

29 Snook St
Clontarf QLD 4019
Australia

Po Box 122
Margate QLD 4019
Australia



Figure 1: Grille showing placement of top head light mount.

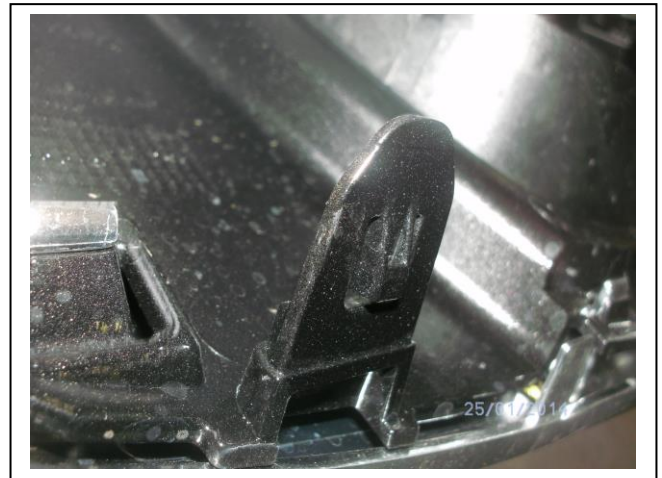


Figure 2: Close up of lower grille mount.



Figure 3: Recommended fog light disconnection point, driver side.



Figure 4: Recommended fog light disconnection point, passenger side.



Figure 5: Clamp and drill inner holes in mount. Holes to drill circled.



Figure 6: Clamp and drill inner holes in mount. Holes to drill circled.



East Coast Bullbars (ECB Pty Ltd)

Tel: 07 3897 5700

Fax: 07 3283 1168

ecb@ecb.com.au www.ecb.com.au

WORLD'S BEST
ALLOY BULLBARS

29 Snook St
Clontarf QLD 4019
Australia

Po Box 122
Margate QLD 4019
Australia

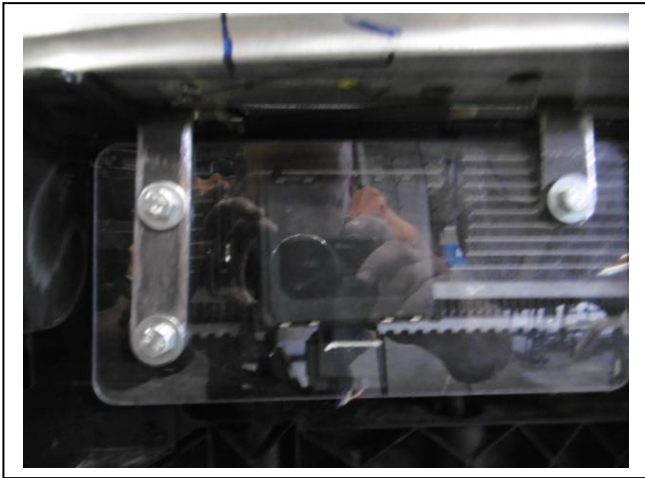


Figure 7: Perspex protection cover fitted



Figure 8: bumper support and mount fitted to vehicle.



Figure 9: cut areas on drivers side of grille.
NOTE: cut area from side of opening.



Figure 10: 76mm Nudge bar front view



Figure 11: 76mm Nudge bar side view



Figure 12: Series 2 nudge bar front view



**WORLD'S BEST
ALLOY BULLBARS**

East Coast Bullbars (ECB Pty Ltd)

Tel: 07 3897 5700

Fax: 07 3283 1168

ecb@ecb.com.au www.ecb.com.au

29 Snook St
Clontarf QLD 4019
Australia

Po Box 122
Margate QLD 4019
Australia



Figure 13: Series 2 nudge bar side view



**WORLD'S BEST
ALLOY BULLBARS**

East Coast Bullbars (ECB Pty Ltd)

Tel: 07 3897 5700

Fax: 07 3283 1168

ecb@ecb.com.au www.ecb.com.au

29 Snook St
Clontarf QLD 4019
Australia

Po Box 122
Margate QLD 4019
Australia

We value your comments

Dear Fitter,

ECB would like to know how you went with the installation of this product. We value your comment and may need to contact you to clarify some details so please complete your contact details clearly.

We would appreciate if you could complete as many of the following details as possible.

Your Name:	Your contact No.
Product Part No.	Product Invoice No.
Product Description:	Make, model, and year of vehicle:
Product Work Order No.	Company your from/Company product purchased from:

Date of Fitment: ____/____/____

Was the fitting hardware supplied complete? Yes No

If no what was not supplied

Did the installation go well? Yes No

Please provide comments

Please draw diagrams if you need to.

Post to
Reply Paid 122
PO Box 122
Margate QLD 4019

Fax to
(07) 3283 1168



WORLD'S BEST
ALLOY BULLBARS

East Coast Bullbars (ECB Pty Ltd)

Tel: 07 3897 5700

Fax: 07 3283 1168

ecb@ecb.com.au www.ecb.com.au

29 Snook St
Clontarf QLD 4019
Australia

Po Box 122
Margate QLD 4019
Australia

DESPATCH CHECKLIST NBN180SY & NB6N180SY

Work Order #		See other side of this page for photos of all mounts
Finish:		
Transport:		
Due Date:		

OC.....1 – P/S mounting bracket

OC.....1 – D/S mounting bracket

BK.....1 – Perspex Cover (NBF160SY_A2PL)

BK.....1 – Bolt Kit.



Is this product “the best it can be” Yes _____/_____
If NO fix before continuing
Wrapper’s initials / Checker initials

All parts checked and completed by:

Nut and bolts: _____ Date __/__/__

Order control: _____ Date __/__/__

Final wrap check: _____ Date __/__/__



WORLD'S BEST
ALLOY BULLBARS

East Coast Bullbars (ECB Pty Ltd)

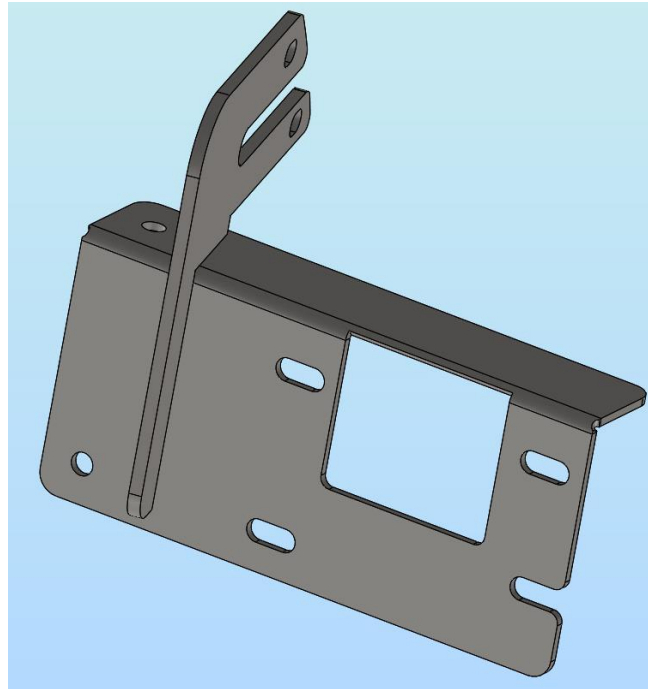
Tel: 07 3897 5700

Fax: 07 3283 1168

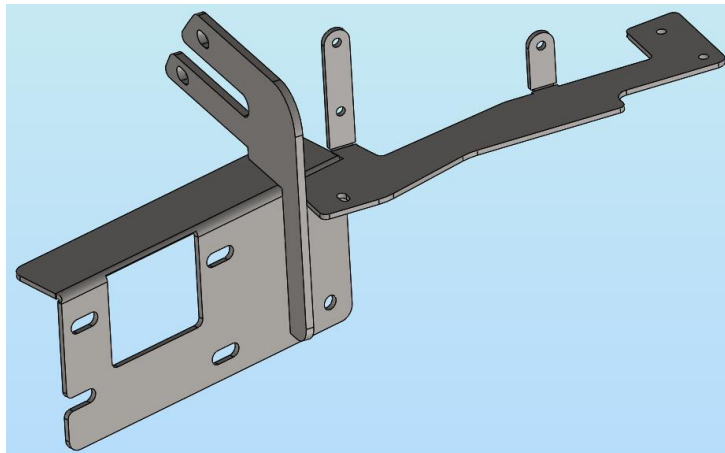
ecb@ecb.com.au www.ecb.com.au

29 Snook St
Clontarf QLD 4019
Australia

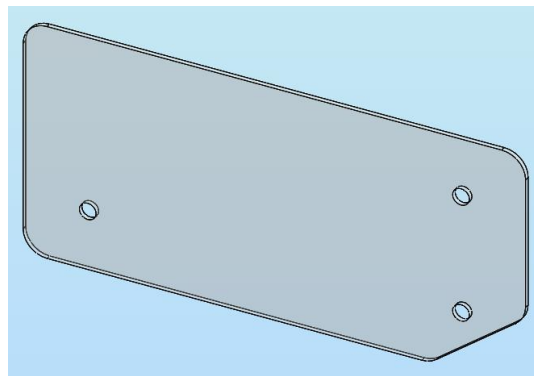
Po Box 122
Margate QLD 4019
Australia



P/S mounting bracket



D/S mounting bracket



Perspex protection cover NBF160SY_A2PL

Wrapper's initials / Checker initials